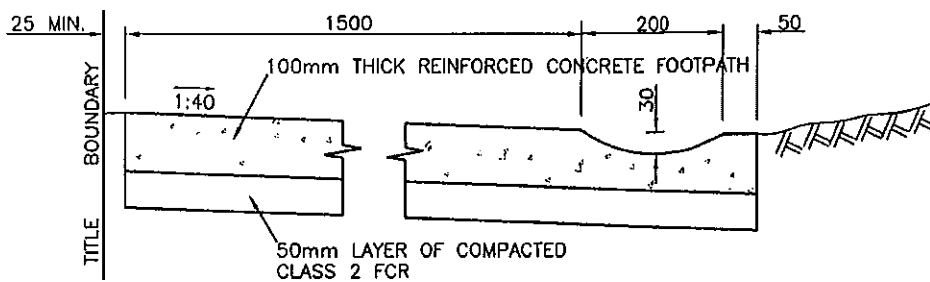
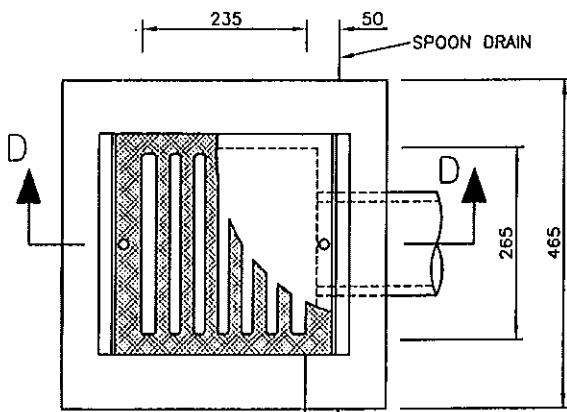


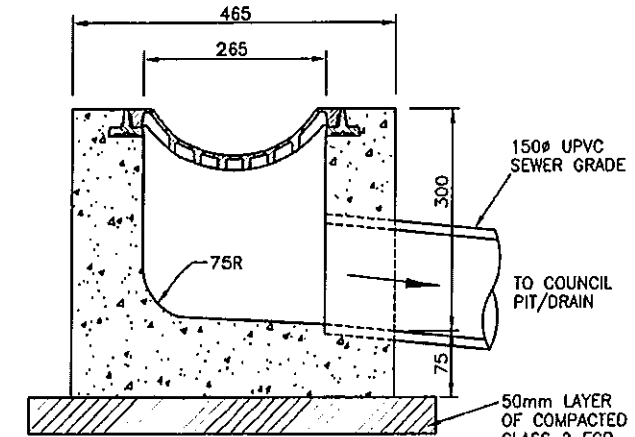
PLAN DISHED GRATE(300x300) & FRAME
SCALE 1:5



STANDARD FOOTPATH & SPOON DRAIN SECTION
SCALE 1:5



PLAN - SCALE 1:10



SECTION D-D - SCALE 1:10

NOTES:

1. ALL WALLS TO BE 100mm THICK.
2. 200mm WIDE SPOON DRAIN INCREASE TO 235mm AND DEPTH TO INCREASE FROM 30 TO 65mm TO THE LEVEL OF GRATE, OVER THE LAST 1.0m.
3. CONCRETE STRENGTH 25 MPa AT 28 DAYS.
4. REINFORCED CONCRETE FOOTPATH STD.DWG S350

ALL DIMENSIONS IN mm.



GRATING PIT(300x300)
FOR A STD. FOOTPATH
SPOON DRAIN

FOR USE ON REVERSE FALL NATURE STRIP

DRAWN: V. NGUYEN

CHECKED: S.Q

AMENDMENTS: APRIL 2011

SCALE: 1:20

DATE: MAY 2011

BY: V. NGUYEN

APPROVED

Santi
MANAGER
ENGINEERING SERVICES

DRAWING No.

S260