

NOTES

1. INSTALL ARTICULATED JOINTS WHEREVER THE FOLLOWING CONDITIONS EXIST:

A) MATURE TREE CANOPY ENCROACHES OVER PATH

MATURE TREES		
MATURE TREE DIA.	TREE OFFSET TO PATH MIN.	NATURE STRIP WIDTH MIN.
200mm	0.7m	≤ 1.5m
350mm	1.0m	1.5 TO 3.0m

B) TREES WITHIN PRIVATE PROPERTY MEET ANY OF THE ABOVE CONDITIONS

2. INSTALL THREE (3) ARTICULATED JOINTS PER TREE LOCATION

3. ALL ARTICULATED JOINTS ARE TO BE IN A SINGLE PIECE, SPANNING THE FULL WIDTH OF PATH

4. SPACE JOINTS AT 1.5 TO 1.8m CENTRES WHERE MULTIPLE TREES EXIST

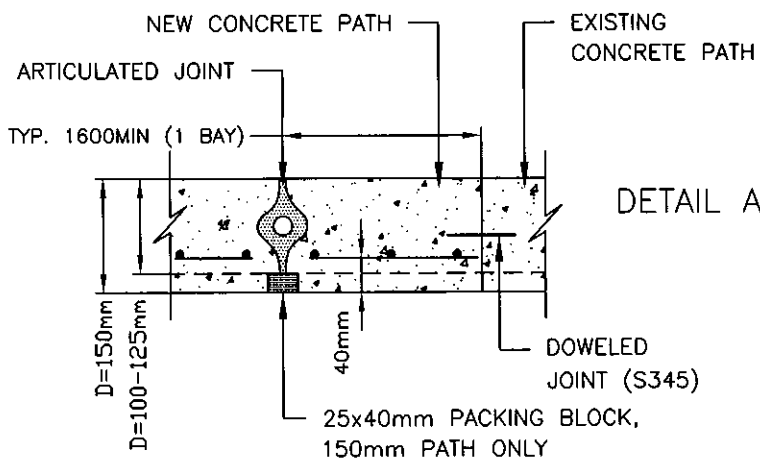
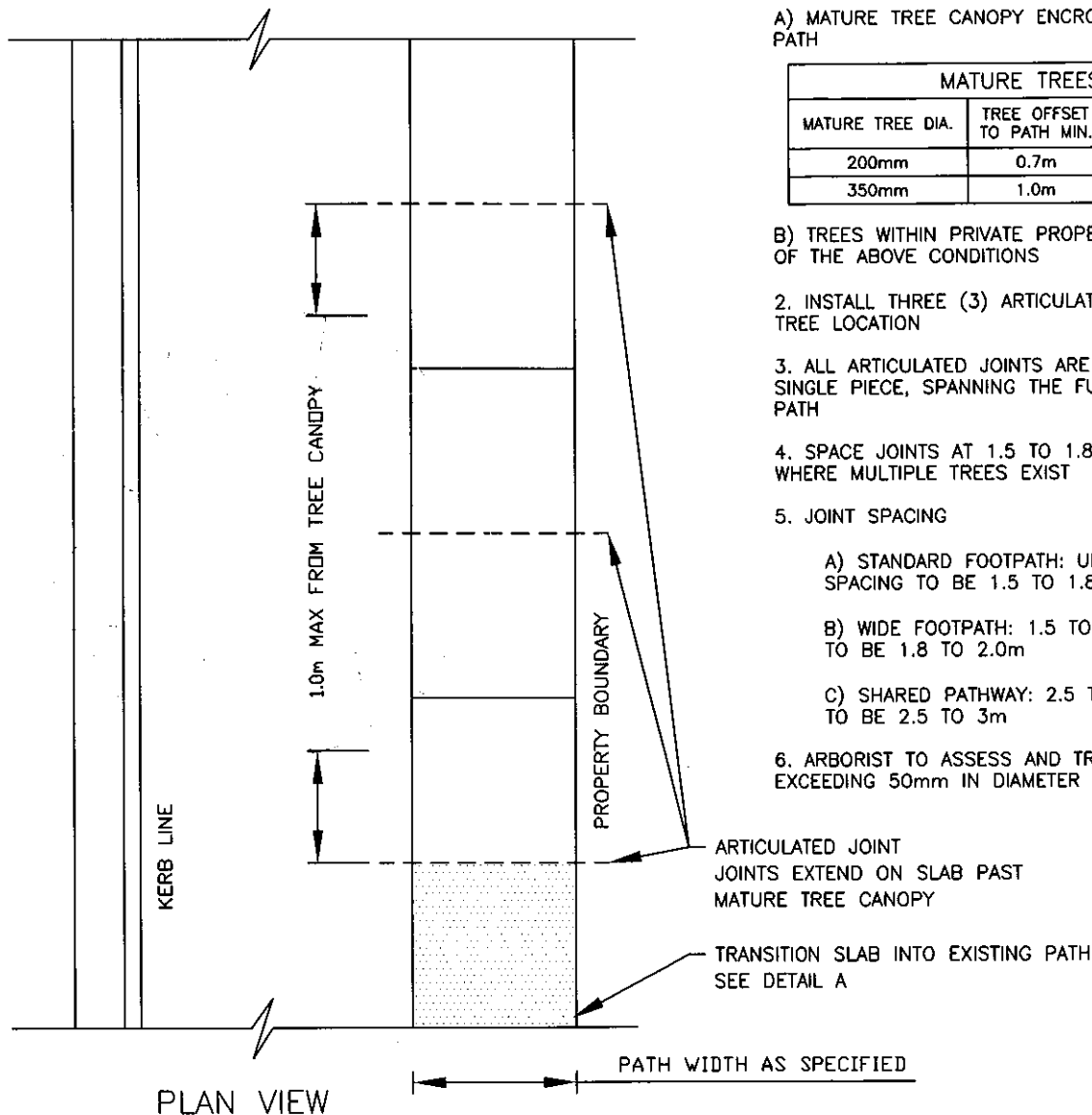
5. JOINT SPACING

A) STANDARD FOOTPATH: UP TO 1.5m; SPACING TO BE 1.5 TO 1.8m

B) WIDE FOOTPATH: 1.5 TO 2.0m; SPACING TO BE 1.8 TO 2.0m

C) SHARED PATHWAY: 2.5 TO 3m; SPACING TO BE 2.5 TO 3m

6. ARBORIST TO ASSESS AND TREAT ANY ROOTS EXCEEDING 50mm IN DIAMETER



NOTES

USE ARTICULATED JOINT TO SUIT

WHERE FOOTPATH DEPTH IS 150mm USE 125mm ARTICULATED JOINT WITH COMPRESSIBLE PACKING BLOCK (POLYSTYRENE) 40x25mm FULL WIDTH OF JOINT.

NO ARTICULATED JOINT FOR FOOTPATH DEPTHS GREATER THAT 150mm

REFER TO S345 DOWELED CONSTRUCTION JOINTS AND S350 STANDARD FOOTPATH DETAILS.



FOOTPATH ARTICULATED (TREE) JOINT

APPROVED

fri. J. Samsi
MANAGER
ENGINEERING SERVICES
DRAWING No.

DRAWN: L.C.	CHECKED: S.Q.	AMENDMENTS: SEPT 2015
SCALE: AS SHOWN	DATE: SEPT 2015	BY: MURRAY BASILE

S346