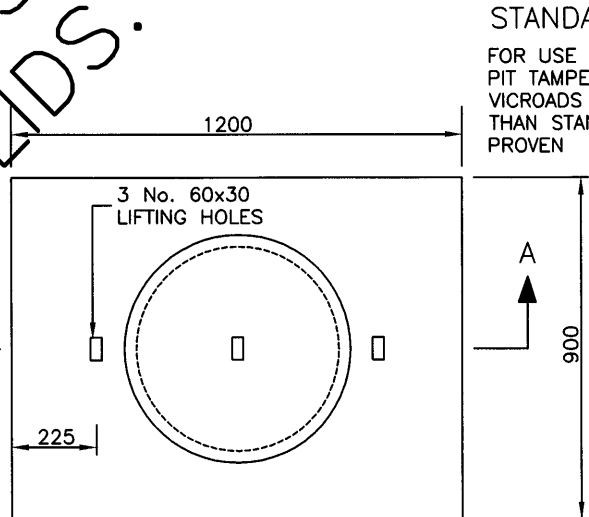
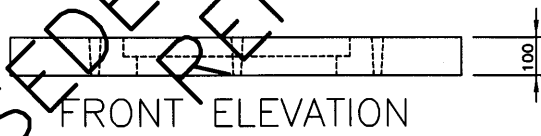


PLAN
 PRECAST CONCRETE PIT LID – TYPE A



PLAN
 PRECAST CONCRETE PIT LID – TYPE B

STANDARD SEP60B 100:
 FOR USE BEHIND KERB LINTEL OR ON A JUNCTION
 PIT TAMPER PROOF CLASS B CIRCULAR INSERT
 VICROADS TYPE REINFORCED FRAME MORE DURABLE
 THAN STANDARD FRAMES EASY HANDLING FIELD
 PROVEN

SUPERSEDED BY FIBRE COMPOSITE PIT LIDS. REFER TO S200

NOTES:

1. CONCRETE STRENGTH 25MP_a AT 28 DAYS.

17/7/2015



PRECAST CONCRETE PIT LIDS
 TYPE A AND TYPE B

DRAWN: V. NGUYEN	CHECKED: S.Q	AMENDMENTS: JUL 2015
SCALE: 1:20	DATE: MAY 2011	BY: D. WORSLEY

APPROVED
famsi
 for MANAGER
 ENGINEERING SERVICES
 DRAWING No.
 S270