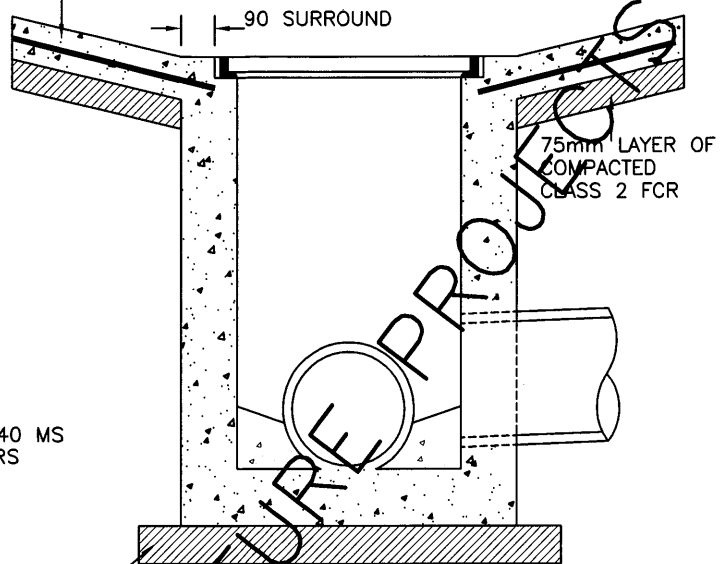
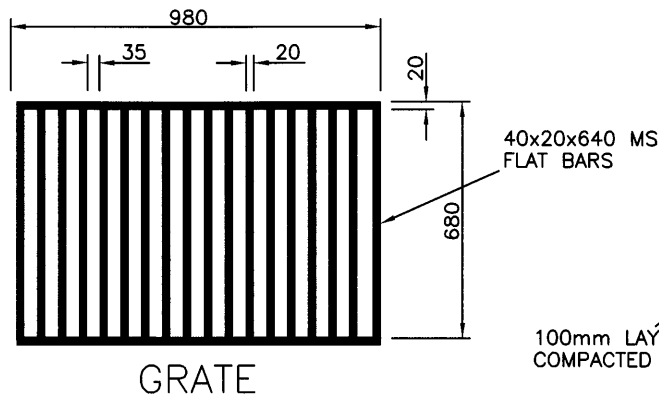


SECTION THROUGH GRATE

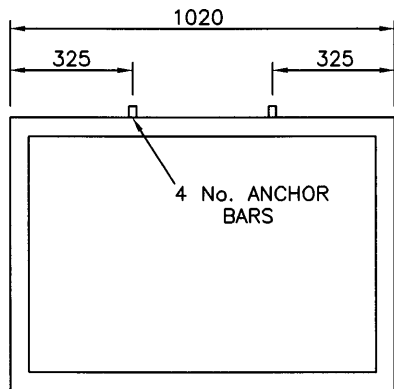
150mm THICK CONCRETE REINFORCED DROP WITH 1 LAYER OF F62 MESH.



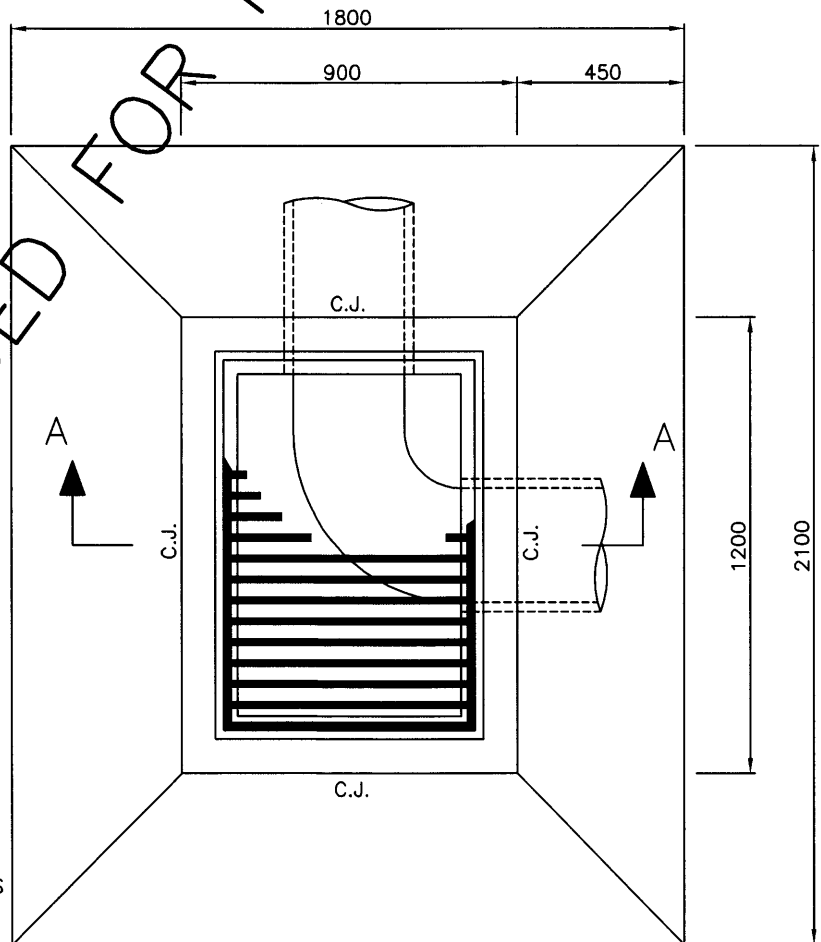
SECTION A-A



GRATE



GRATE FRAME



PLAN

NOTES:

1. ALL WALLS TO BE 150mm THICK.
2. WHERE PIPE DIA. EXCEEDS PIT WIDTH OR DEPTH EXCEEDS 2.0m REFER TO STD. DRAWING No. S255.
3. SHAPE PIT INVERT TO ONE THIRD OUTLET PIPE DIAMETER.
4. GRATE FRAME SHALL BE CONSTRUCTED FROM 51x51x8 MS ANGLE. EACH CORNER SHALL BE WELDED ON UNDERSIDE OF HORIZONTAL LEG AND ON INSIDE OF VERTICAL LEG WITH SIZE 5 FILLET WLD.  
4 No. Y12 BARS, 100 LONG WELDED TO FRAME WITH SIZE 5 FILLET WELD.  
GRATE UNITS SHALL BE MADE FROM 40x20 MS RECTANGULAR BARS.  
BOTH GRATE AND FRAME SHALL BE HOT DIP GALVANIZED.
5. PROVIDE STEP IRONS FOR PIT DEPTH EXCEEDING 1.0m, REFER TO STD. DRAWING No. S275.
6. CONCRETE STRENGTH 25MPa AT 28 DAYS.

ALL DIMENSIONS IN mm.



JUNCTION PIT(900x600)  
WITH A GRATE  
AND APRON TYPE A

APPROVED  
*Javis*  
17/7/15  
for  
MANAGER  
ENGINEERING SERVICES  
DRAWING No.

DRAWN: V. NGUYEN

CHECKED: S.Q

AMENDMENTS: JUL 2015

SCALE: 1:20

DATE: MAY 2011

BY: D. WORSLEY

S220