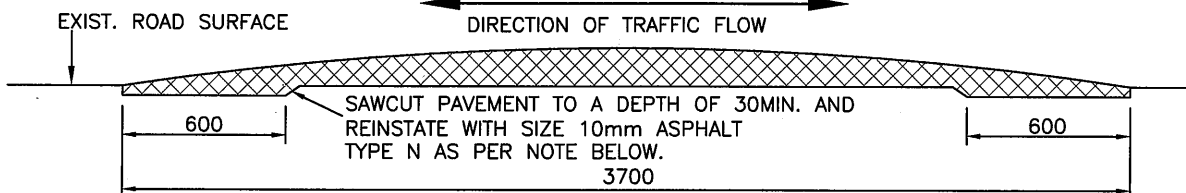
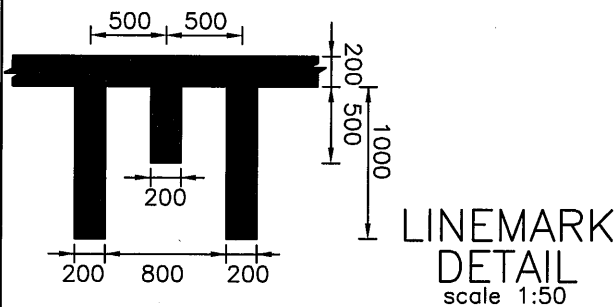


L(m)	0	0.1	0.2	0.3	0.4	0.5	0.6	0.7	0.8	0.9	1.0	1.1	1.2	1.3	1.4	1.5	1.6	1.7	1.8
h(mm)	100	99	97	95	93	90	86	81	75	71	65	58	51	43	34	25	16	5	

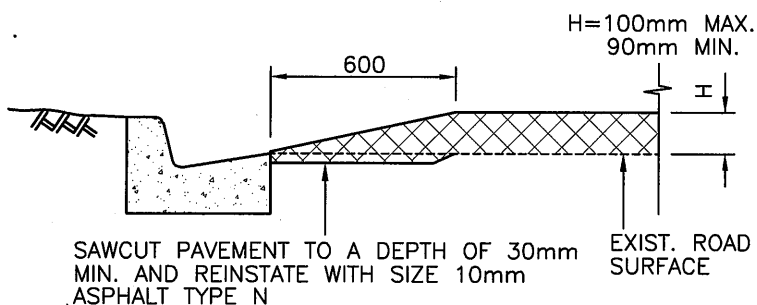
DETAIL OF WATTS PROFILE



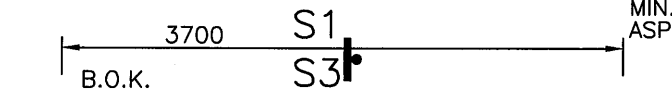
WATTS PROFILE (ASPHALT) SCALE NTS



LINEMARK
DETAIL
scale 1:50

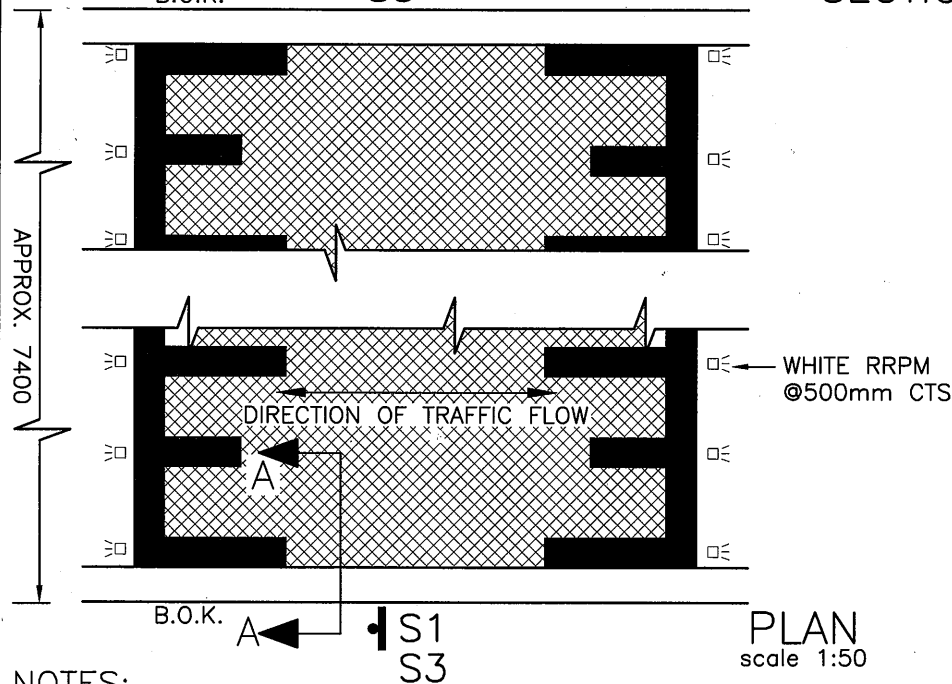


SECTION A-A scale 1:25



SIGNS(TYP.)

SIGN NO.	DESCRIPTION	NO. REQ.
S1	 W5-10A (CLASS 1)	2
S2	 W3-4A (CLASS 1) (APPROX. 50m FROM FIRST ROAD HUMPS OF EACH DIRECTION OF TRAFFIC FLOW)	2
S3	 20 Km/h W8-2A (CLASS 1)	2



PLAN
scale 1:50

NOTES:

- STANDARD ROAD HUMPS WARNING SIGNS, ROAD MARKERS AND RRPM'S ARE REQUIRED TO SUPPLEMENT THE INSTALLATION OF THE ROAD HUMPS IN ACCORDANCE WITH THE CURRENT VICROADS TRAFFIC ENGINEERING MANUAL VOL - 1, CHAPTER 8.
- ALL TRAFFIC MANAGEMENT DEVICES TO BE SUPPLEMENTED WITH ADEQUATE STREET LIGHTING.



STANDARD ROAD HUMPS WATTS PROFILE ASPHALT CONCRETE

DRAWN: V. NGUYEN	CHECKED: S.Q	AMENDMENTS: JUNE 2018
SCALE: AS SHOWN	DATE: JUNE 2018	BY: MURRAY BASILE

APPROVED
[Signature]
for
MANAGER
ENGINEERING SERVICES

DRAWING No.
S401