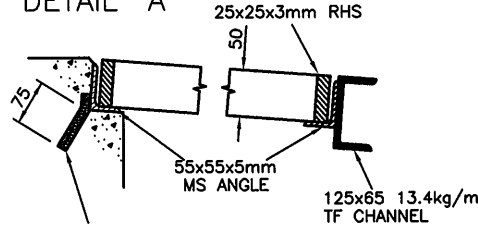


GRATE TO BE FITTED WITH 2 No. M10 BOLTS MINIMUM 50mm IN LENGTH PENETRATING INTO CONCRETE. ALLOW FOR COUNCIL BOLT HEAD SLEEVE OF 25mmØ TO BE FITTED LATER ON BY COUNCIL.

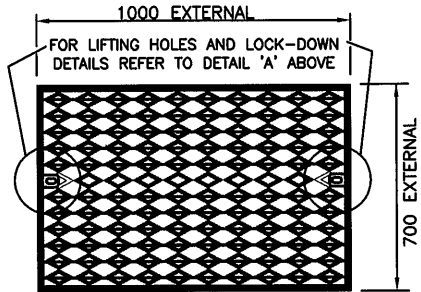
ALLOW VOID IN CONCRETE FOR M10 BOLT PENETRATION

DETAIL 'A'

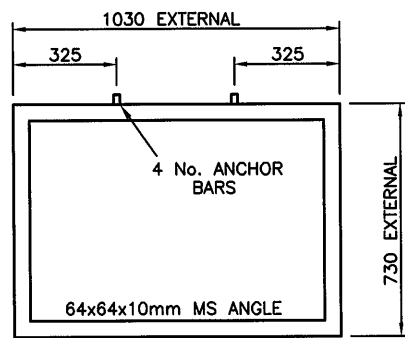


Y12 ANCHOR BAR, 100 LONG WELDED TO FRAME WITH SIZE 5 FILLET WELD

SECTION THROUGH GRATE



WEAVE GRATE

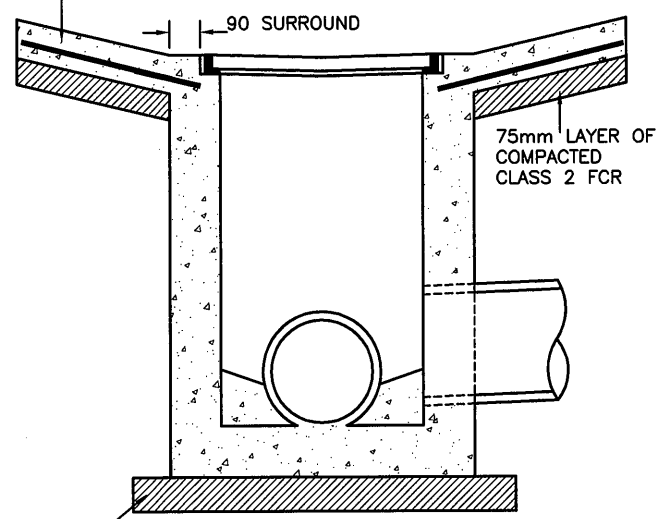


GRATE FRAME

NOTES:

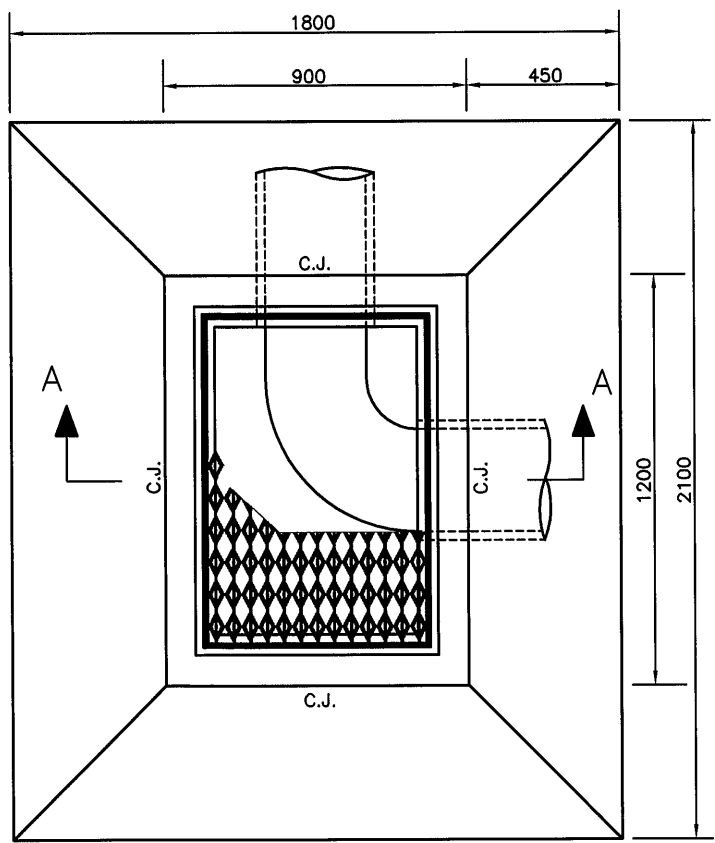
1. ALL WALLS TO BE 150mm THICK.
2. WHERE PIPE DIA. EXCEEDS PIT WIDTH OR DEPTH EXCEEDS 2.0m REFER TO STD. DRAWING No. S255.
3. SHAPE PIT INVERT TO ONE THIRD OUTLET PIPE DIAMETER.
4. GRATE TO COMPLY WITH AS 3996-CLASS D
5. CONTRACTOR IS TO CONFIRM THAT DIMENSIONS OF REQUIRED GRATE SUIT EXISTING CONDITIONS.
6. GRATES TO BE SECURED TO THE FRAME SO THAT THEY WILL NOT "KICK UP" WITH TRAFFIC LOADING.
7. PROVIDE STEP IRONS FOR PIT DEPTH EXCEEDING 1.0m, REFER TO STD. DRAWING No. S275.
8. CONCRETE STRENGTH 25MP_a AT 28 DAYS.

150mm THICK CONCRETE REINFORCED DROP WITH 1 LAYER OF F62 MESH.



SECTION A-A

100mm LAYER OF COMPACTED CLASS 2 FCR



PLAN

ALL DIMENSIONS IN mm.



JUNCTION PIT(900x600)
WITH A GRATE &
APRON TYPE B

APPROVED
R. O'H
for MANAGER
ENGINEERING SERVICES
DRAWING No.

DRAWN: V. NGUYEN	CHECKED: S.Q	AMENDMENTS: JULY 2014
SCALE: 1:20	DATE: JULY 2014	BY: MURRAY BASILE

S221