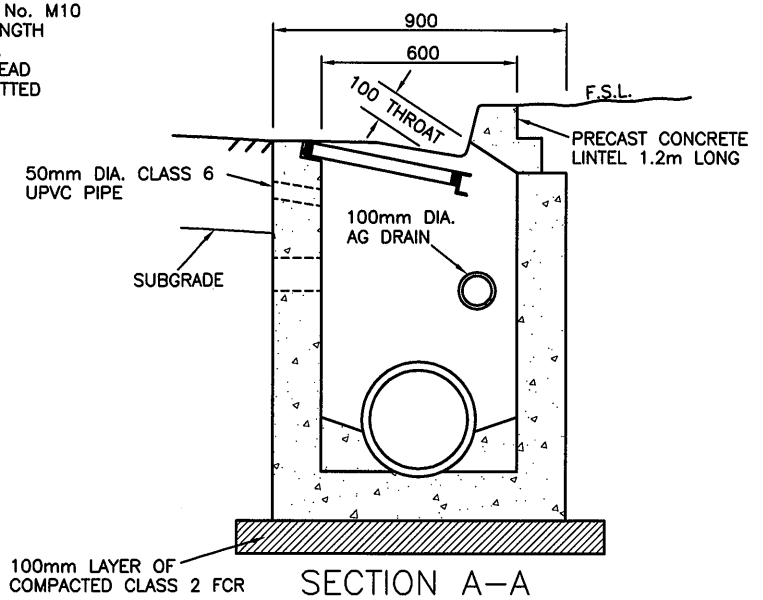
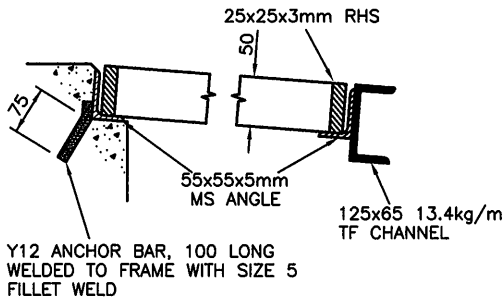


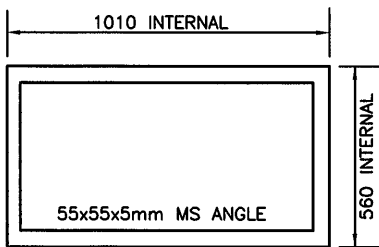
DETAIL 'A'



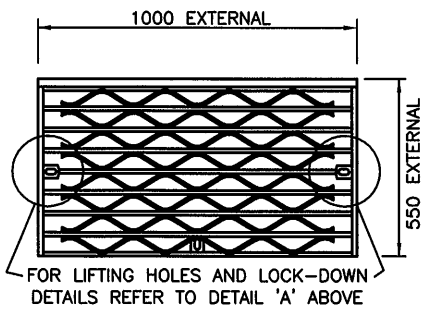
SECTION A-A



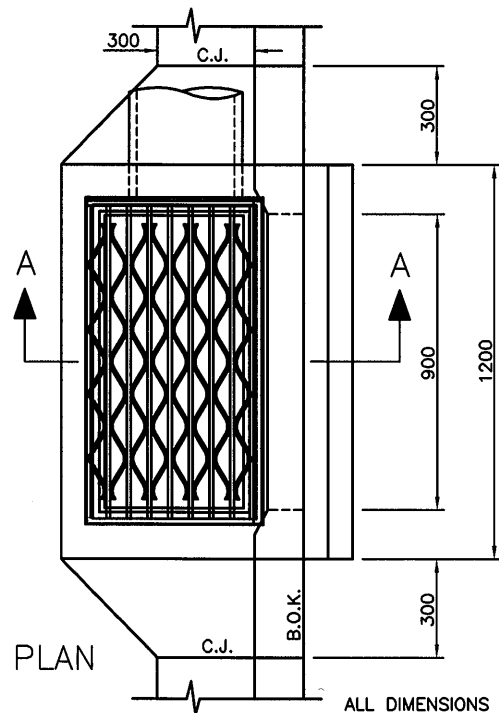
SECTION THROUGH GRATE



GRATE FRAME



WEAVE GRATE



PLAN

ALL DIMENSIONS IN mm.

NOTES:

1. ALL WALLS TO BE 150mm THICK.
2. WHERE PIPE DIA. EXCEEDS PIT WIDTH OR DEPTH EXCEEDS 2.0m, REFER TO STD. DRAWING No. S255.
3. WEEPHOLE 100mm DIA. IN THE WALL AGAINST THE ROAD PAVEMENT TO BE 100mm BELOW SUBGRADE LEVEL.
4. SHAPE PIT INVERT TO ONE THIRD OUTLET PIPE DIAMETER.
5. GRATE TO COMPLY WITH AS 3996-CLASS D
6. CHANNEL INVERT TO BE DROPPED 70mm OVER A DISTANCE OF 600mm FROM BOTH SIDES OF THE PIT.
7. GRATES TO BE SECURED TO THE FRAME SO THAT THEY WILL NOT "KICK UP" WITH TRAFFIC LOADING.
8. PROVIDE STEP IRONS FOR PIT DEPTHS EXCEEDING 1.0m, REFER TO STD. DRAWING No. S275.
9. CONCRETE STRENGTH 25MP_a AT 28 DAYS.



GRATED SIDE ENTRY PIT
TYPE B
(900x600)

APPROVED
R. P. J.
for
MANAGER
ENGINEERING SERVICES
DRAWING No.
S211

DRAWN: V. NGUYEN

CHECKED: S.Q

AMENDMENTS: JULY 2014

SCALE: 1:20

DATE: JULY 2014

BY: MURRAY BASILE