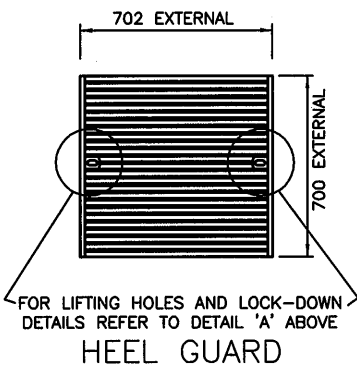
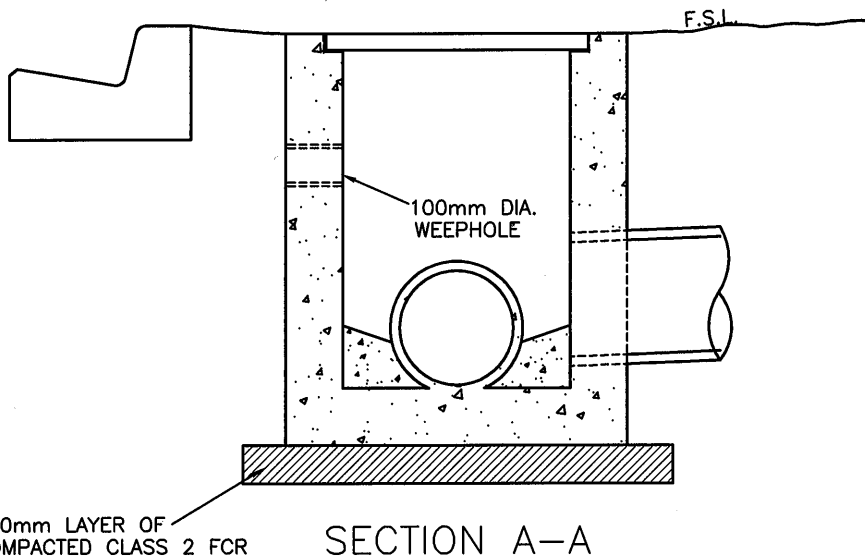


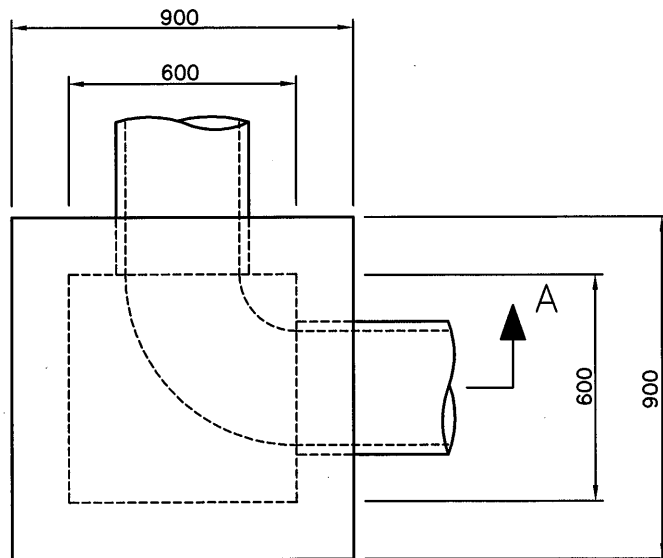
GRATE FRAME



HEEL GUARD



SECTION A-A



PLAN

**NOTES:**

1. ALL WALLS TO BE 150mm THICK.
2. WHERE PIPE DIA. EXCEEDS PIT WIDTH OR DEPTH EXCEEDS 2.0m REFER TO STD. DRAWING No. S255.
3. WEEPHOLE, 100mm DIA. IN THE WALL AGAINST THE ROAD PAVEMENT TO BE 100mm BELOW SUBGRADE LEVEL.
4. SHAPE PIT INVERT TO ONE THIRD OUTLET PIPE DIAMETER.
5. GRATE TO COMPLY WITH AS 3996-2006-CLASS B
6. CONTRACTOR IS TO CONFIRM THAT DIMENSIONS OF REQUIRED GRATE SUIT EXISTING CONDITIONS.
7. GRATES TO BE SECURED TO THE FRAME SO THAT THEY WILL NOT "KICK UP" WITH TRAFFIC LOADING.
8. SUBBASE DRAINAGE: 50mm DIA. CLASS 6 UPVC STUB, WHERE PIT IS AGAINST THE ROAD PAVEMENT.
9. PROVIDE STEP IRONS FOR PIT DEPTH EXCEEDING 1.0m, REFER TO STD. DRAWING No. S275.
10. CONCRETE STRENGTH 25MPa AT 28 DAYS.



JUNCTION PIT(600x600)  
WITH A HEEL GUARD GRATE

DRAWN: M.BASILE	CHECKED: S.Q	AMENDMENTS: NOV. 2014
SCALE: 1:20	DATE: NOV. 2014	BY: MURRAY BASILE

APPROVED

*Sami*

MANAGER  
ENGINEERING SERVICES

DRAWING No.

S225